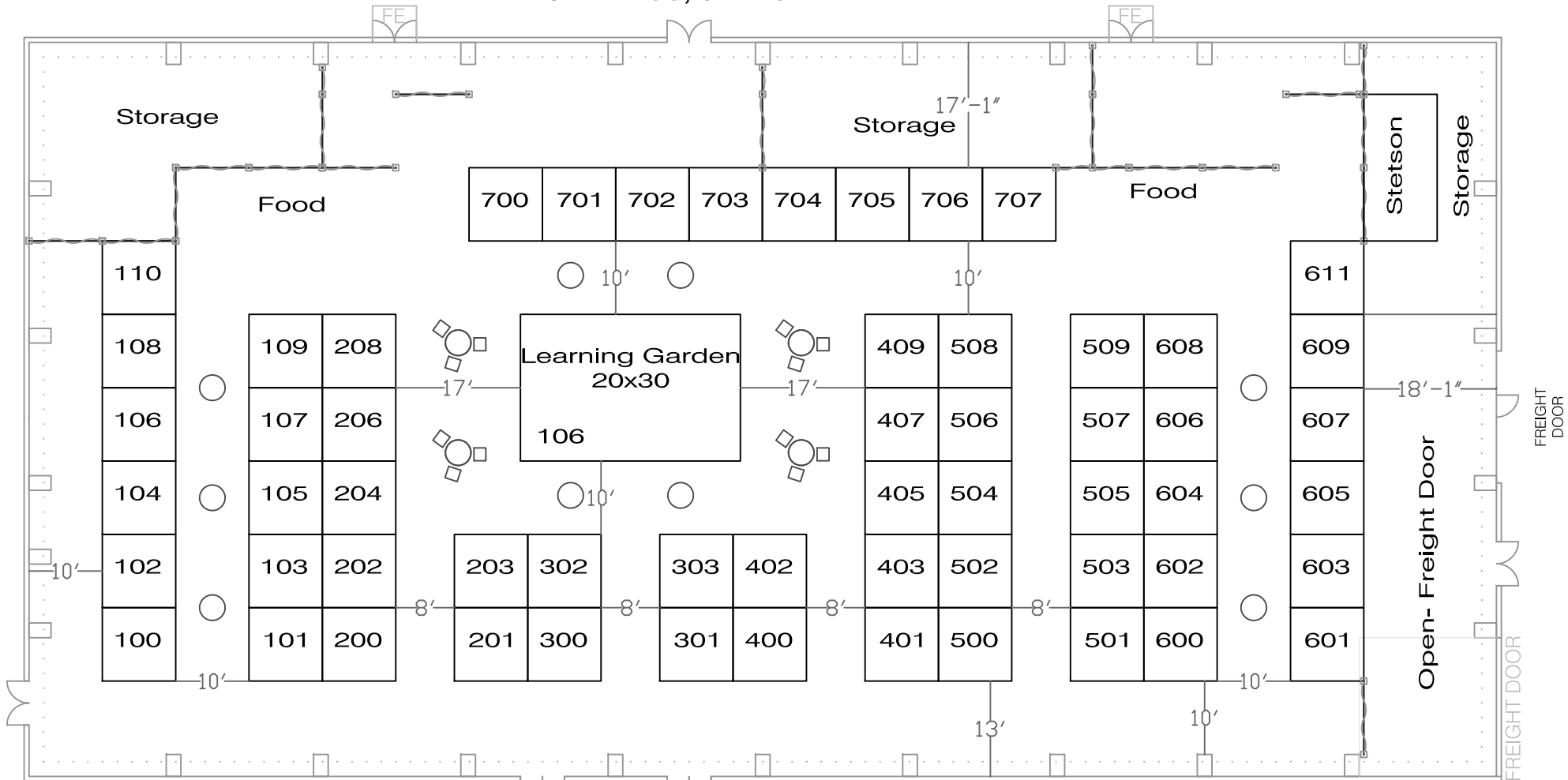


ALL FLOOR PLANS ARE SUBJECT TO CHANGE AND ARE CURRENTLY PENDING FIRE MARSHAL / FACILITY APPROVAL.
SAN DIEGO, CALIFORNIA



ROOM: PAVILION
DIMENSION: 100'-1" X 200'-1"
CEILING HEIGHT: 9'-0"/26'-0"

PLACEMENT OF DOORS WILL VARY

CEILING: CENTER AREA 26'-0"

LOWEST LIGHT 16'-0"

OUTER LEFT & RIGHT 9'-0"

CleanMed 2018			
Sheraton San Diego Hotel and Marina- Pavilion Room			
San Diego, California			
May 7-9, 2018			
pdf. Name: CleanMed 2018_7.13.17			
Dwg. Name: CleanMed 2018			
Dwg Date: 7.13.2017	By: AB	Rev: 2	FMA: Pending
All Booths are 10' wide unless noted otherwise			
All Aisles are 10' wide unless noted otherwise			
Show Colors:			



2900 Stayton Street, Pittsburgh PA 15212
 PH: 412.223.1090 - FX: 412.223.1094
 E-MAIL: abelhumeur@stetsonexpo.com

Booths	
Dimensions	Quantity
10x10	61
Totals:	61

Disclaimer
 Every effort has been made to ensure the accuracy of all information contained on this floor plan. However no warranties, either expressed or implied are made with respect to this floor plan. If the location of building columns, utilities of other architectural components of the facility is a consideration of construction or usage of an exhibit, it is the sole responsibility of the exhibitor to physically inspect the facility to verify all dimensions and locations.